


## 225.FM23TM23-CPR-2024.09.04

Utført av JSK - Godkjent for produsent av Tomasz Taczyński og Dag Riise 04.09.2024

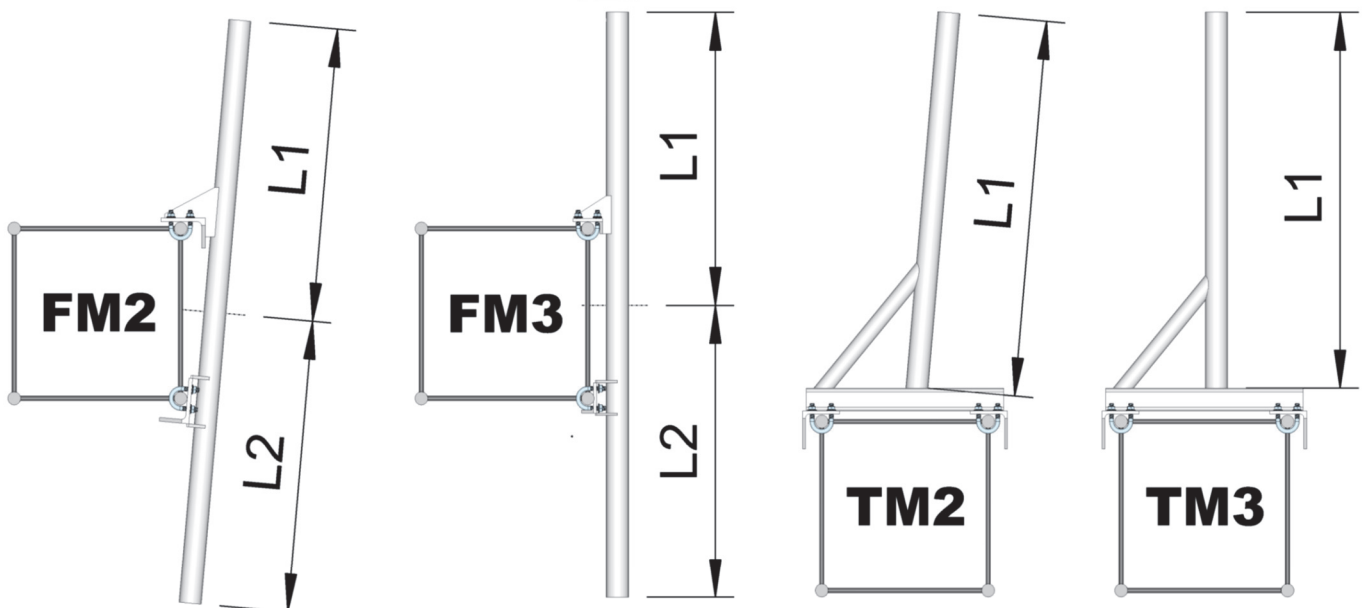
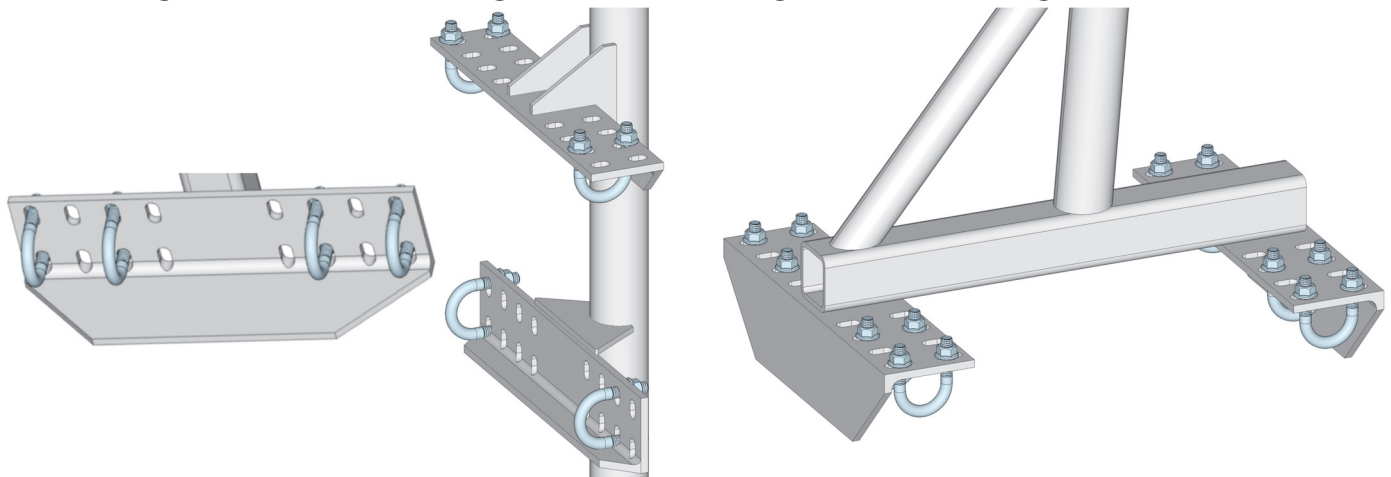
<b>Produkt:</b> <b>Produkt nummer:</b>	<table border="0"> <tr> <td><b>Skiltfeste portal FM2 Ø60mm Frontmontert 5gr.</b></td> <td><b>22590116010</b></td> </tr> <tr> <td><b>Skiltfeste portal FM2 Ø89mm Frontmontert 5gr.</b></td> <td><b>22590118910</b></td> </tr> <tr> <td><b>Skiltfeste portal FM3 Ø60mm Frontmontert 0gr.</b></td> <td><b>22590116020</b></td> </tr> <tr> <td><b>Skiltfeste portal FM3 Ø89mm Frontmontert 0gr.</b></td> <td><b>22590118920</b></td> </tr> <tr> <td><b>Skiltfeste portal TM2 Ø60mm Toppmontert 5gr.</b></td> <td><b>22590116000</b></td> </tr> <tr> <td><b>Skiltfeste portal TM2 Ø89mm Toppmontert 5gr.</b></td> <td><b>22590118900</b></td> </tr> <tr> <td><b>Skiltfeste portal TM3 Ø60mm Toppmontert 0gr.</b></td> <td><b>22590116015</b></td> </tr> <tr> <td><b>Skiltfeste portal TM3 Ø89mm Toppmontert 0gr.</b></td> <td><b>22590118915</b></td> </tr> </table>	<b>Skiltfeste portal FM2 Ø60mm Frontmontert 5gr.</b>	<b>22590116010</b>	<b>Skiltfeste portal FM2 Ø89mm Frontmontert 5gr.</b>	<b>22590118910</b>	<b>Skiltfeste portal FM3 Ø60mm Frontmontert 0gr.</b>	<b>22590116020</b>	<b>Skiltfeste portal FM3 Ø89mm Frontmontert 0gr.</b>	<b>22590118920</b>	<b>Skiltfeste portal TM2 Ø60mm Toppmontert 5gr.</b>	<b>22590116000</b>	<b>Skiltfeste portal TM2 Ø89mm Toppmontert 5gr.</b>	<b>22590118900</b>	<b>Skiltfeste portal TM3 Ø60mm Toppmontert 0gr.</b>	<b>22590116015</b>	<b>Skiltfeste portal TM3 Ø89mm Toppmontert 0gr.</b>	<b>22590118915</b>
<b>Skiltfeste portal FM2 Ø60mm Frontmontert 5gr.</b>	<b>22590116010</b>																
<b>Skiltfeste portal FM2 Ø89mm Frontmontert 5gr.</b>	<b>22590118910</b>																
<b>Skiltfeste portal FM3 Ø60mm Frontmontert 0gr.</b>	<b>22590116020</b>																
<b>Skiltfeste portal FM3 Ø89mm Frontmontert 0gr.</b>	<b>22590118920</b>																
<b>Skiltfeste portal TM2 Ø60mm Toppmontert 5gr.</b>	<b>22590116000</b>																
<b>Skiltfeste portal TM2 Ø89mm Toppmontert 5gr.</b>	<b>22590118900</b>																
<b>Skiltfeste portal TM3 Ø60mm Toppmontert 0gr.</b>	<b>22590116015</b>																
<b>Skiltfeste portal TM3 Ø89mm Toppmontert 0gr.</b>	<b>22590118915</b>																
<b>Påtenkt bruk:</b>	Skiltkonsoll for å feste skilt på trafikkportal																
<b>Harmonised Standard:</b>	EN 1090-1:2009+A1:2011																
<b>Produsent / Plassert på markedet av:</b>	Saferoad Traffic AS Paul A. Owrens veg 46, 2607 Vingrom, Norway																
<b>Produsert på fabrikk:</b>	SAFEROAD Pomerania Sp. z o.o. Stanisława Dubois 23, 71-610 Szczecin, Poland																
<b>Utførelsesklasse:</b>	EXC2																
<b>Teknisk spesifikasjon:</b> <b>Harmonisert standard</b> <b>NS-EN 1090-2:</b> <b>2009+A1:2011</b> 	Toleranser: <b>NS-EN 1090-2, klass 1</b> Sveisbarhet: <b>S355J2 i henhold til EN10025-2</b> Slagseighet: <b>S355J2: 27J ved temp. -20°</b> Avgivelse av Kadmium: <b>NPD</b> Utstråling av radioaktivitet: <b>NPD</b> Bestandighet: <b>HDG iht. to EN ISO 1461, klass Fe/Zn 115µm</b>  <b>Konstruksjonsegenskaper:</b> Utmatningskapasitet: <b>Ikke analysert</b> Brannmotstand: <b>NPD</b> Festemateriell, varmforsinkede bolter som leveres med: M12 eller M16 U-Bolter VZN 4 eller 8 stk. pr. skiltkonsoll, avhengig av kapasitet																
<b>Vekt:</b>	Varerende, beroende på kapasitet																
<b>Produksjonsgrunnlag:</b>	Tegningsnr.: 10002501-2514, 10002360-2374, 10002900-2968, 10003501-3525																
<b>Montering:</b>	Se monteringsveiledning på side 2.																
<b>Drift / Vedlikehold:</b>	Intet vedlikehold er påkrevd.																
<b>Systemer for vurdering og kontroll, CE merking:</b>	Produktet er CE merket iht EN 1090-1:2009+A1:2011, se vedlagt sertifikat. <b>Notified Body nr. 2627, TÜV Rheinland Polska.</b> System for attestering av samsvar iht. CPR, Annex V: System 2+																
<b>Merking:</b>	[PRODUKT] STÅÅSP#### (ÅÅ = prod.år, #### = SP internt order nr.)																

Utført av JSK - Godkjent for produsent av Tomasz Taczyński og Dag Riise 04.09.2024

### Monteringsveiledning - Skiltkonsoller / Skiltfester til trafikportal

Det er to hovedtyper: TM (Toppmontert) og FM (Frontmontert).

Disse leveres vertikale (0°), for RGB/ LED skilt (FM3/TM3) eller vinklet (5°) for skilt med refleks (FM2/TM2). Utfra nødvendig kapasitet leveres disse enten med Ø60mm rør eller 88,9mm rør. Nødvendig godstykkelse beregnes i Portalskjema, når portalen er ferdig definert. (I portalskjema kan antall fester pr. skilt velges - utfra skiltets kapasitet / muligheter). Skiltkonsollene tilpasses automatisk til portalen, bestilles og leveres med portalen. De monteres med tilpassede U-bolter som leveres med. Se antall nedenfor. Skilt monteres med standard stål eller aluminium Ø60mm eller Ø90mm klammer. For større belastninger finnes det kraftigere klammer, også med M16 og M20 Halfen-



Betegnelse:	D60 3,2	D60 4	D60 5	D60 6	D60 8	D89 5	D89 8	D89 10
Dim rør:	Ø60,3x3,2mm	Ø60,3x4mm	Ø60,3x5mm	Ø60,3x6,3mm	Ø60,3x8mm	Ø88,9x5mm	Ø88,9x8mm	Ø88,9x10mm
Kapasitet:	<b>2,767 kNm</b>	<b>3,320 kNm</b>	<b>3,944 kNm</b>	<b>5,522 kNm</b>	<b>6,452 kNm</b>	<b>9,264 kNm</b>	<b>13,417 kNm</b>	<b>15,654 kNm</b>
U-bolter:	4x M12	4x M12	8x M12	8x M12	8x M12	4x M16	8x M16	8x M16



**Saferoad Traffic AS**

Paul A. Owrens veg 46  
2607 Vingrom  
+47 61 24 80 50  
www.saferoad.no

24

225.FM23TM23-CPR-2024.09.04

NS-EN 1090-1:2009+A1:2011  
**Skilffeste portal FM2 Ø60mm  
Frontmontert 5gr.**

Tolerances: NS-EN1090-2, class 1  
Weldability: S355J2 according to EN10025-2  
Fracture toughness: S355J2: 27J at temp. -20°  
Cadmium extraction: NPD  
Radioactivity: NPD  
Durability: HDG acc. to SS-EN ISO 1461,  
class Fe/Zn 115µm

**Structural characteristics**  
Fatigue strength: Not analyzed  
Resistance to fire: NPD  
Execution class: EXC2

Manufacturing: Drawing no.:  
10002501-2514, 2360-2374, 2900-2968, 3501-3525

ST Product number: 22590116010

Marking: FM260STAASP####



**Saferoad Traffic AS**

Paul A. Owrens veg 46  
2607 Vingrom  
+47 61 24 80 50  
www.saferoad.no

24

225.FM23TM23-CPR-2024.09.04

NS-EN 1090-1:2009+A1:2011  
**Skilffeste portal FM2 Ø89mm  
Frontmontert 5gr.**

Tolerances: NS-EN1090-2, class 1  
Weldability: S355J2 according to EN10025-2  
Fracture toughness: S355J2: 27J at temp. -20°  
Cadmium extraction: NPD  
Radioactivity: NPD  
Durability: HDG acc. to SS-EN ISO 1461,  
class Fe/Zn 115µm

**Structural characteristics**  
Fatigue strength: Not analyzed  
Resistance to fire: NPD  
Execution class: EXC2

Manufacturing: Drawing no.:  
10002501-2514, 2360-2374, 2900-2968, 3501-3525

ST Product number: 22590118910

Marking: FM289STAASP####



**Saferoad Traffic AS**

Paul A. Owrens veg 46  
2607 Vingrom  
+47 61 24 80 50  
www.saferoad.no

24

225.FM23TM23-CPR-2024.09.04

NS-EN 1090-1:2009+A1:2011  
**Skilffeste portal FM3 Ø60mm  
Frontmontert 0gr.**

Tolerances: NS-EN1090-2, class 1  
Weldability: S355J2 according to EN10025-2  
Fracture toughness: S355J2: 27J at temp. -20°  
Cadmium extraction: NPD  
Radioactivity: NPD  
Durability: HDG acc. to SS-EN ISO 1461,  
class Fe/Zn 115µm

**Structural characteristics**  
Fatigue strength: Not analyzed  
Resistance to fire: NPD  
Execution class: EXC2

Manufacturing: Drawing no.:  
10002501-2514, 2360-2374, 2900-2968, 3501-3525

ST Product number: 22590116020

Marking: FM289STAASP####



**Saferoad Traffic AS**

Paul A. Owrens veg 46  
2607 Vingrom  
+47 61 24 80 50  
www.saferoad.no

24

225.FM23TM23-CPR-2024.09.04

NS-EN 1090-1:2009+A1:2011  
**Skilffeste portal FM3 Ø89mm  
Frontmontert 0gr.**

Tolerances: NS-EN1090-2, class 1  
Weldability: S355J2 according to EN10025-2  
Fracture toughness: S355J2: 27J at temp. -20°  
Cadmium extraction: NPD  
Radioactivity: NPD  
Durability: HDG acc. to SS-EN ISO 1461,  
class Fe/Zn 115µm

**Structural characteristics**  
Fatigue strength: Not analyzed  
Resistance to fire: NPD  
Execution class: EXC2

Manufacturing: Drawing no.:  
10002501-2514, 2360-2374, 2900-2968, 3501-3525

ST Product number: 22590118920

Marking: FM260STAASP####



**Saferoad Traffic AS**

Paul A. Owrens veg 46  
2607 Vingrom  
+47 61 24 80 50  
www.saferoad.no

24

225.FM23TM23-CPR-2024.09.04

NS-EN 1090-1:2009+A1:2011  
**Skilffeste portal TM2 Ø60mm  
Toppmontert 5gr.**

Tolerances: NS-EN1090-2, class 1  
Weldability: S355J2 according to EN10025-2  
Fracture toughness: S355J2: 27J at temp. -20°  
Cadmium extraction: NPD  
Radioactivity: NPD  
Durability: HDG acc. to SS-EN ISO 1461,  
class Fe/Zn 115µm

**Structural characteristics**  
Fatigue strength: Not analyzed  
Resistance to fire: NPD  
Execution class: EXC2

Manufacturing: Drawing no.:  
10002501-2514, 2360-2374, 2900-2968, 3501-3525

ST Product number: 22590116000

Marking: TM260STAASP####



**Saferoad Traffic AS**

Paul A. Owrens veg 46  
2607 Vingrom  
+47 61 24 80 50  
www.saferoad.no

24

225.FM23TM23-CPR-2024.09.04

NS-EN 1090-1:2009+A1:2011  
**Skilffeste portal TM2 Ø89mm  
Toppmontert 5gr.**

Tolerances: NS-EN1090-2, class 1  
Weldability: S355J2 according to EN10025-2  
Fracture toughness: S355J2: 27J at temp. -20°  
Cadmium extraction: NPD  
Radioactivity: NPD  
Durability: HDG acc. to SS-EN ISO 1461,  
class Fe/Zn 115µm

**Structural characteristics**  
Fatigue strength: Not analyzed  
Resistance to fire: NPD  
Execution class: EXC2

Manufacturing: Drawing no.:  
10002501-2514, 2360-2374, 2900-2968, 3501-3525

ST Product number: 22590118900

Marking: TM289STAASP####



**Saferoad Traffic AS**

Paul A. Owrens veg 46  
2607 Vingrom  
+47 61 24 80 50  
www.saferoad.no

24

225.FM23TM23-CPR-2024.09.04

NS-EN 1090-1:2009+A1:2011  
**Skilffeste portal TM3 Ø60mm  
Toppmontert 0gr.**

Tolerances: NS-EN1090-2, class 1  
Weldability: S355J2 according to EN10025-2  
Fracture toughness: S355J2: 27J at temp. -20°  
Cadmium extraction: NPD  
Radioactivity: NPD  
Durability: HDG acc. to SS-EN ISO 1461,  
class Fe/Zn 115µm

**Structural characteristics**  
Fatigue strength: Not analyzed  
Resistance to fire: NPD  
Execution class: EXC2

Manufacturing: Drawing no.:  
10002501-2514, 2360-2374, 2900-2968, 3501-3525

ST Product number: 22590116015

Marking: TM360STAASP####



**Saferoad Traffic AS**

Paul A. Owrens veg 46  
2607 Vingrom  
+47 61 24 80 50  
www.saferoad.no

24

225.FM23TM23-CPR-2024.09.04

NS-EN 1090-1:2009+A1:2011  
**Skilffeste portal TM3 Ø89mm  
Toppmontert 0gr.**

Tolerances: NS-EN1090-2, class 1  
Weldability: S355J2 according to EN10025-2  
Fracture toughness: S355J2: 27J at temp. -20°  
Cadmium extraction: NPD  
Radioactivity: NPD  
Durability: HDG acc. to SS-EN ISO 1461,  
class Fe/Zn 115µm

**Structural characteristics**  
Fatigue strength: Not analyzed  
Resistance to fire: NPD  
Execution class: EXC2

Manufacturing: Drawing no.:  
10002501-2514, 2360-2374, 2900-2968, 3501-3525

ST Product number: 22590118915

Marking: TM389STAASP####

# CERTIFICATE

conformity of the Factory Production Control

**2627-CPR-1090-1.PL0238.TÜVRh.22.01**

In compliance with Regulation 305/2011/EU of the European Parliament and of the Council of 9 March 2011 (the Construction Products Regulations - CPR)

This certificate applies to the following construction product:

<b>Construction product</b>	Structural components and kits for steel structures to EXC2 according to EN 1090-2:2018
<b>Intended use</b>	for load-bearing structures in all types of buildings
<b>CE-marking method</b>	ZA.3.2-ZA.3.5 according to EN 1090-1:2009+A1:2011
<b>Manufacturer</b>	<b>Saferoad Traffic AS</b> Paul A. Owrens veg 46 2607 Vingrom Norway
<b>Manufacturing plant</b> <small>Production facility of the manufacturer</small>	Saferoad Pomerania Sp. z o.o. Stanisława Dubois 23 str. 71-610 Szczecin, Poland
<b>Confirmation</b>	This certificate attests that all provisions concerning the assessment and verification of constancy of performance described in Annex ZA of the harmonised standard  EN 1090-1:2009+A1:2011 under system 2+ are applied and that the factory production control is assessed to be in conformity with the applicable requirements.
<b>Date of first issue</b>	21.06.2018
<b>Validity</b>	This certificate will remain valid as long as neither the harmonised standard, the construction product, the AVCP methods nor the manufacturing conditions in the plant are modified significantly, unless suspended or withdrawn by the notified factory production control certification body.
<b>Next Surveillance inspection</b>	20.06.2025
<b>Place and date of issue</b>	Zabrze, 15.03.2024

*Leszek Zadroga*  
Leszek Zadroga  
Notified Body

© TÜV, TÜEV and TUV are registered trademarks. Utilisation and application requires prior approval.

# WELDING CERTIFICATE

## 8610-1090-2.PL0150.TÜVRh.22.01

in accordance with EN 1090-1:2009+A1:2011, table B.1 for execution of structural steel components EN 1090-2:2018

<b>Manufacturer</b>	<b>Saferoad Traffic AS</b> Paul A. Owrens veg 46 2607 Vingrom Norway
<b>Manufacturing plant</b> <small>Production facility of the manufacturer</small>	Saferoad Pomerania Sp. z o.o. Stanisława Dubois 23 str. 71-610 Szczecin, Poland
<b>Technical specification</b>	EN 1090-2:2018
<b>Execution class(es)</b>	EXC2 acc. to EN 1090-1:2009+A1:2011
<b>Welding Process(es)</b> <small>(Reference no acc. to EN ISO 4063)</small>	135 - Metal active gas welding, partly mechanized
<b>Material group</b>	1.1, 1.2, 1.3 according to CEN ISO/TR 15608
<b>Responsible welding coordinator</b>	PL-IWE-00757/2010
<b>Confirmation</b>	All provisions concerning welding as described in the above mentioned technical specification(s) were applied.
<b>Begin of validity</b>	21.06.2018
<b>Period of validity</b>	20.06.2025
<b>Place and date of issue</b>	Zabrze, 15.03.2024

*Leszek Zadroga*

Leszek Zadroga  
Certification Body



 **TÜVRheinland**<sup>®</sup>  
Precisely Right.